

## General Setup Instructions

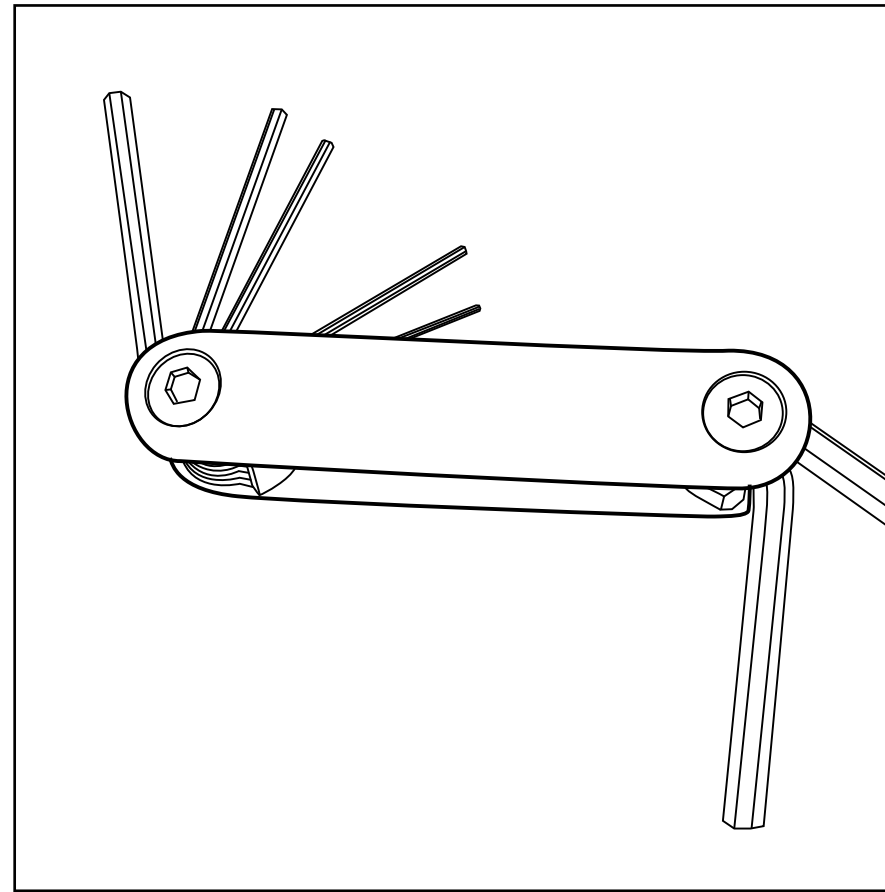
- The setup instructions are created specifically for your configuration.
- Setup instructions are laid out sequentially in levels, including exploded views and a logical series of steps for assembly. We encourage you to study the instructions before attempting to assemble your exhibit.

## Cleaning and Packing

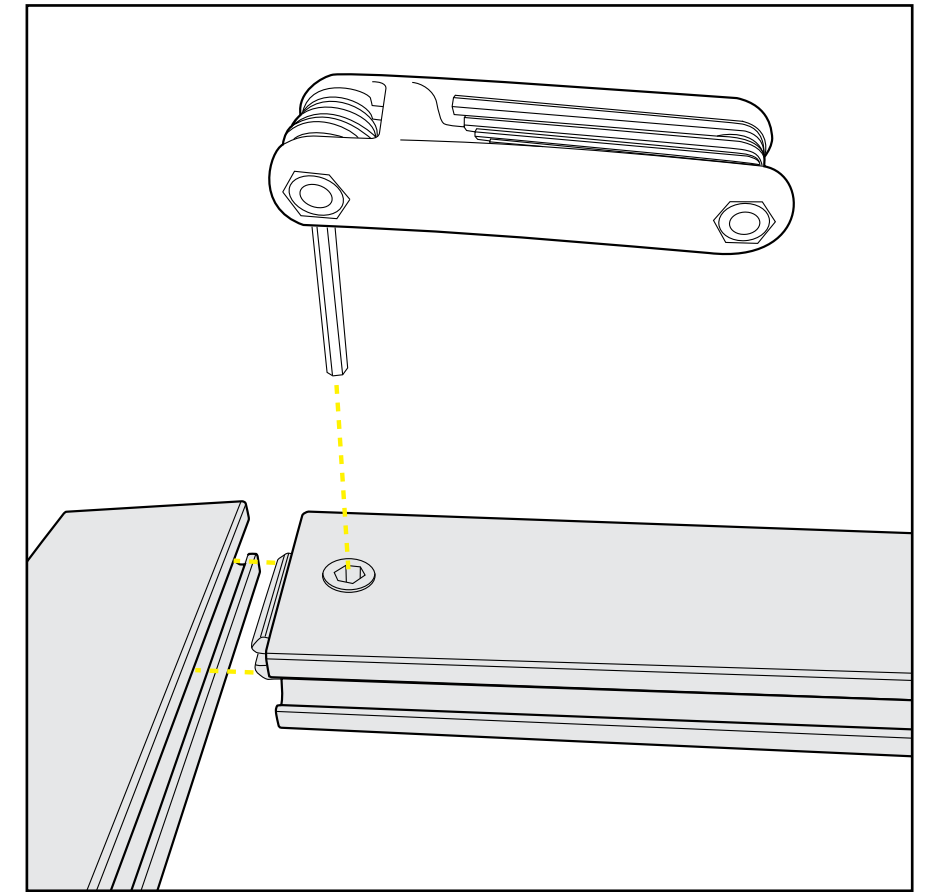
- Use non-abrasive cleaners when cleaning extrusions or ECO Glass inserts.
- Use mild cleaners and soft materials such as cotton to clean all laminates.
- Keep exhibit components away from extreme heat and long exposure to sun light. This will prevent warping and fading.
- Retain all packing material for ease of re-packing. This protects the exhibit components and keeps each part organized.

## Disassembling

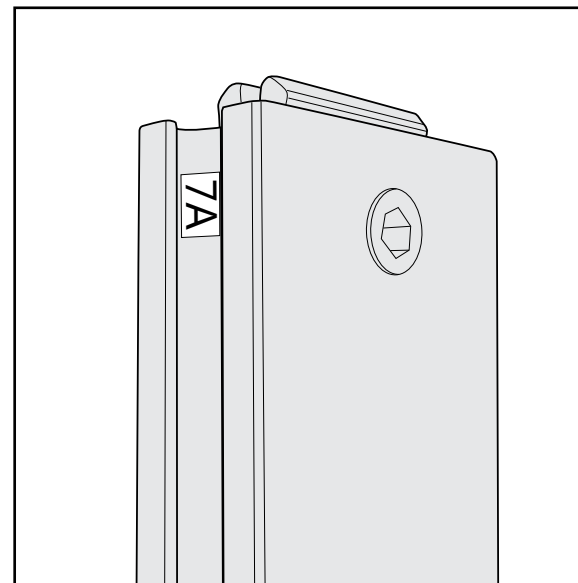
- When disassembling exhibit, tighten all setscrews to prevent loss of hardware in the shipping process.



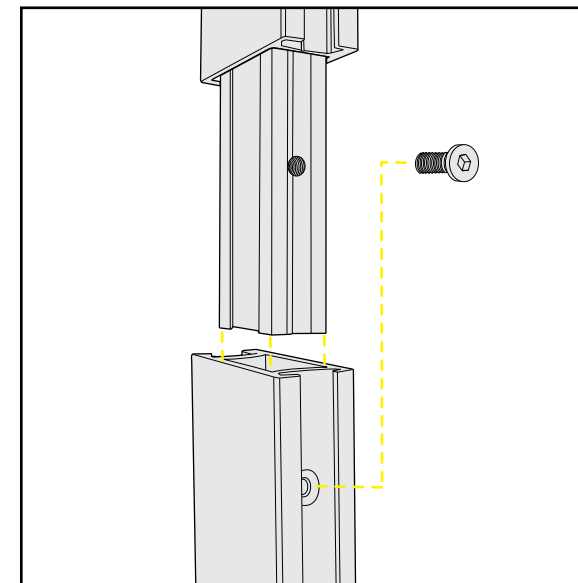
Hex Tool for Assembling Exhibit



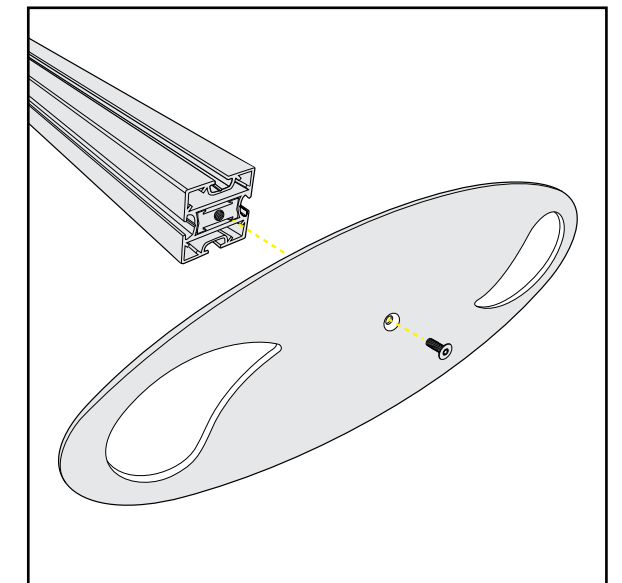
Extrusion Lock Connectors



Numbering Instructions for Setups/Packing

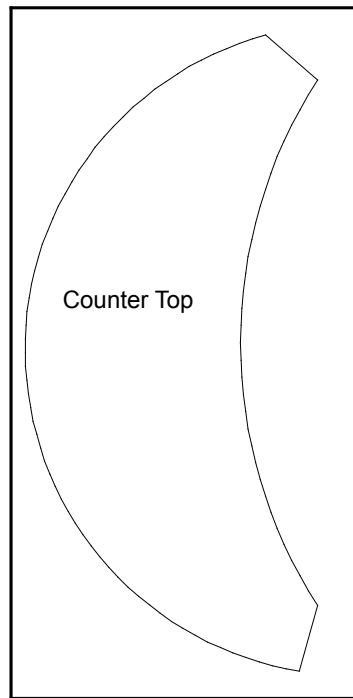


Inline Connection between Extrusions

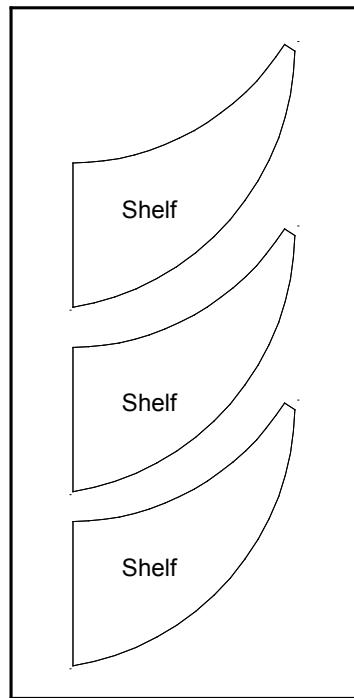


Baseplate Connection for Vertical Extrusions

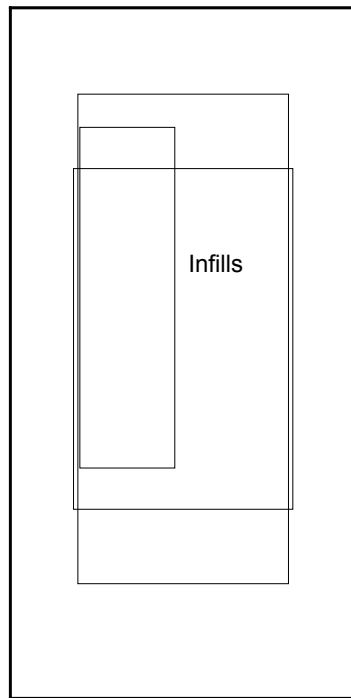
### Top View of Each Level



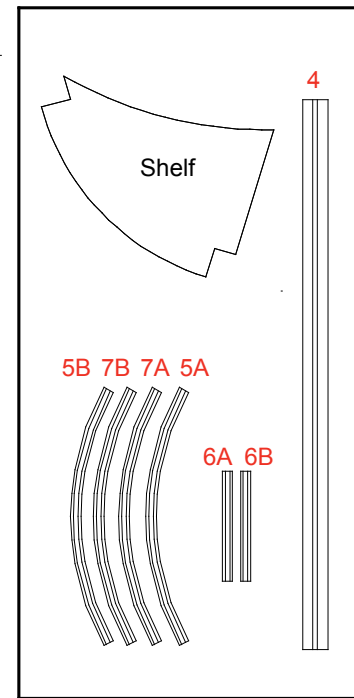
Level 1  
(Bottom level)



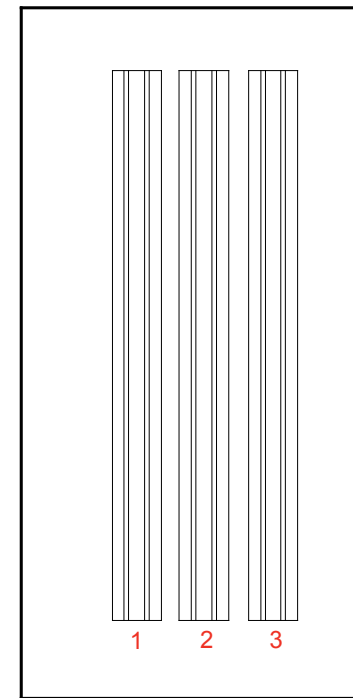
Level 2



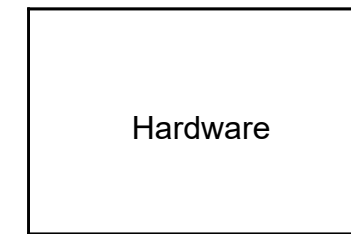
Level 3



Level 4



Level 5  
(Top level)



Item	Qty.	Description:
1	1	40" h Q918 Vertical Extrusion
2	1	40" h Q918 Vertical Extrusion
3	1	40" h S44 Vertical Extrusion
4	1	40" h Q918 Vertical Extrusion
5A/5B	1/1	19.25" Z45 Curved Horizontal Extrusion
6A/6B	1/1	8" w Z45 Horizontal Extrusion
7A/7B	1/1	19.25" Z45 Curved Horizontal Extrusion

**Steps:**

- 1) Attach lower horizontal extrusions [5A,6A,7A] between vertical extrusions [1,2,3,4] as shown.
- 2) Slide infills into place between verticals as shown except **clear infills**.  
Note: Slide **clear infills** into place after three **clear shelves** are installed.
- 3) Attach upper horizontal extrusions [5B,6B,7B] between vertical extrusions [1,2,3,4] as shown.
- 4) Place **shelves** on pins as shown.
- 5) Slide **clear infills** into place after three **clear shelves** are installed.
- 6) Attach stand-off barrels to curved extrusions [5B,7B].
- 7) Place counter top on barrels and secure with screw caps.

